

Conductor-LP

O W N E R M A N U A L



WARNING: TO REDUCE THE RISK OF FIRE OR ELECTRIC SHOCK, DO NOT EXPOSE THIS APPLIANCE TO RAIN OR MOISTURE.



CAUTION: TO REDUCE THE RISK OF ELECTRICAL SHOCK, DO NOT REMOVE COVER. NO USER-SERVICEABLE PARTS INSIDE. REFER SERVICING TO QUALIFIED PERSONNEL.



The lightning flash with arrowhead symbol, within an equilateral triangle, is intended to alert the user to the presence of uninsulated “dangerous voltage” within the product’s enclosure that may be of sufficient magnitude to constitute a risk of electric shock to persons.



The exclamation point within an equilateral triangle is intended to alert the user to the presence of important operating and maintenance (servicing) instructions in the literature accompanying the appliance.

CAUTION: Changes or modifications not expressly approved by the party responsible for compliance could void the user's authority to operate the equipment.

Important Safety Instructions

Please read all instructions and precautions carefully and completely before operating your Soloist-50.

1. **ALWAYS** disconnect your entire system from the AC mains before connecting or disconnecting any cables, or when cleaning any component.
2. This product must be terminated with a three-conductor AC mains power cord that includes an earth ground connection. To prevent shock hazard, all three connections must **ALWAYS** be used.
3. AC extension cords are not recommended for use with this product
4. **NEVER** use flammable or combustible chemicals for cleaning components.
5. **NEVER** operate this product with any covers removed.
6. **NEVER** wet the inside of this product with any liquid.
7. **NEVER** pour or spill liquids directly onto this unit.
8. **NEVER** block airflow through ventilation slots or heat sinks.
9. **NEVER** bypass any fuse.
10. **NEVER** replace any fuse with a value or type other than those specified.
11. **NEVER** attempt to repair this product. If a problem occurs, contact your Clef-Audio retailer.
12. **NEVER** expose this product to extremely high or low temperatures.
13. **NEVER** operate this product in an explosive atmosphere.
14. **ALWAYS** keep electrical equipment out of the reach of children.
15. **ALWAYS** unplug sensitive electronic equipment during lightning storms.

*From all of us at Clef Audio,
Thank you for choosing our product.*

Table of Contents

Unpacking	6
Installation Considerations	7
Power Requirements	8
Special Design Features	9
Acknowledge	10
Front Panel	11
Rear Panel	12
Power Supply Unit	13
Care & Maintenance	14
Warranty.....	15
Specifications	16
Dimensions	17

Unpacking

Warning!

DO NOT attempt to lift or move the Conductor-LP without adequate assistance. Failure to follow the procedures included in this section may result in personal injuries and/or product damage.

Caution!

DO NOT attempt to lift the Conductor-LP while bending at the waist. When lifting, stand as straight as possible using the leg muscles to lift.

When unpacking the Conductor-LP:

DO save all packing materials for possible future shipping needs.

DO inspect the Conductor-LP for signs of damage during shipment. If damage is discovered, contact an authorized Clef Audio dealer for assistance making appropriate claims.

Installation Considerations

Placement

Position the Conductor-LP on a stable, horizontal surface where there is no risk of it being knocked, or subjected to vibration such as from loudspeakers.

Conductor-LP must be protected from humidity - if the unit is moved from a cold place to a warm room, leave the unit for an hour or so to allow sufficient time for the moisture to evaporate.

Power Requirements

Operating States

When shipped, the Conductor-LP is configured for 220-230V AC power operation at 50Hz. Before operating the Conductor-LP make sure the AC mains connector label indicates the correct operating voltage for the current location.

Continuous Operation

The Conductor-LP should be unplugged during lightning storms and extended periods of non-use. Otherwise, it is designed for continuous operation. For best performance, make sure power is connected to the AC mains connector at all times. During normal operation, do not use the power switch (on the rear panel) to power off the Conductor-LP. Instead, use the on/off button to place the Conductor-LP into standby.

Special Design Features

Low Noise High Gain Design Circuit

The Conductor-LP has a very accurate RIAA equalization curve. This curve is accurate to better than 1/10 dB over 10 octaves. The accuracy of this curve does not vary with an adjustment change of gain or cartridge loading.

Conductor-LP features gain adjustable from between 40dB and 76dB; a range sufficient to allow successful operation of not only high output moving magnet cartridges, but also the lowest output moving coil cartridges without the use of an auxiliary step-up transformer.

Dual-Mono Design

Dual mono design topology. This gives the better isolation between channels. Soundstage imaging is improved, offering true soundstage width and depth. Instrument placement and layering are more accurate.

Acknowledge

Moving Magnet Cartridge (MM)

Moving Magnet cartridge need to select capacitance. It will be impossible to give suggestions for correct capacitance with any given cartridge, due to the huge variation in capacitance on the cables. The optimal value is selected by listening.

There are five Capacitive loading switches with values of 100pf, 220pf, 330pf, 430pf and 550pf.

The correct value is that which gives the best overall tonal balance. Typically if the cartridge sounds too bright more capacitive loading will be required. The typical Moving Magnet cartridge has a fairly predictable output.

The Conductor-LP gain in moving magnet is fixed at 42dB and Resistive loading is fixed at 47k-ohm

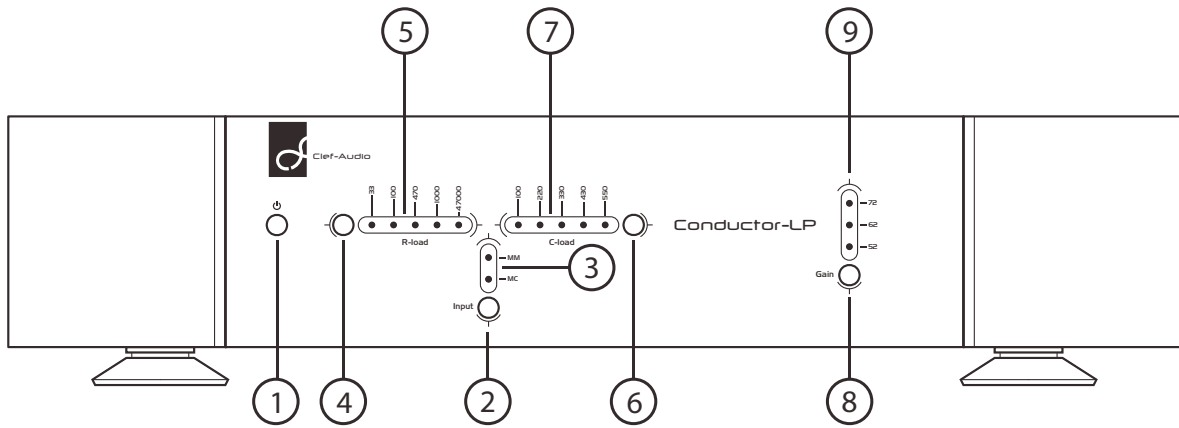
Moving Coil Cartridge (MC)

Moving coil cartridges are the typical cartridges of choice for the serious Audiophile and generally the lower output moving coil cartridges are preferred. The Conductor-LP may be used with even lower output cartridges without an auxiliary step-up transformer.

To operate the Moving Coil pre-amp, you need to select Moving Coil (MC) "On". In addition you will need to attach the turntables phono cartridge to the Conductor-LP Moving Coil input.

Your next task is going to be to set gain and Resistive Loading. The available gain settings are 52 dB, 62 dB, & 72 dB.

There are five Resistive loading switches with values of 33ohm, 100ohm, 470ohm, 1k-ohm and 47k-ohm.



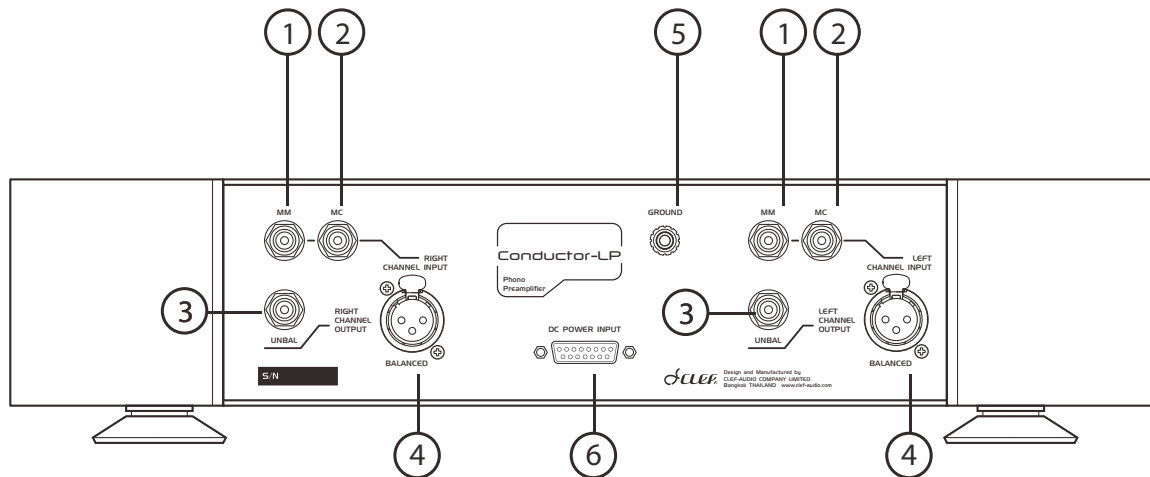
Front Panel

The numbers in the front panel illustration shown above correspond with the numbered items that begin below.

1. **On/Stand by Button**
When the Conductor-LP is powered on, pressing and releasing the On/Off button places the Conductor-LP standby or takes the Conductor-LP out of standby
2. **Source Select Button**
Press to select desired input cartridge sources, Moving Magnet (MM) cartridge or Moving Coil (MC) cartridge.
3. **Source Select Display**
Shows selected source.
4. **Resistant Load Select Button**
There are 5 unique Resistant loading settings available press this button to select desired MM cartridge Resistant Loading
5. **Resistant Load Select Display**
Shows Resistant Loading selected.
6. **Capacitance Load Select Button**
There are 5 unique Capacitance loading settings available press this button to select desired MM cartridge Resistant Loading
7. **Capacitance Load Select Display**
Shows Capacitance Loading selected.
8. **Output Gain Select Button (MC)**
Press to select desired MC cartridge output gain.
9. **Output Gain Select Display**
Shows MC cartridge gain selected.

Note

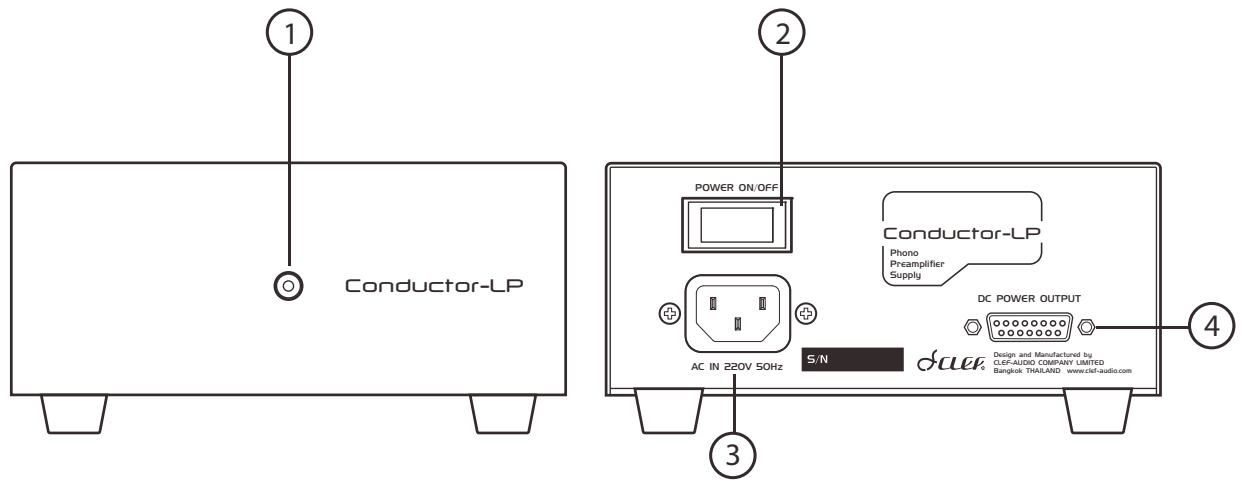
When **Source Button, Resistant Load Button, Capacitance Load Button** or **Output Gain Button** selected, The unit will be in mute stage. Please wait for a while until the unit is ready.



Rear Panel

The numbers in the rear panel illustration shown above correspond with the numbered items that begin below.

1. **MM cartridge Input**
Plug the MM cartridge source into this input.
2. **MC cartridge Input**
Plug the MC cartridge source into this input.
3. **Unbalanced Output**
Connect the interconnects cables from these terminals to Preamplifier or Amplifier.
4. **Balanced Output**
Connect the Balanced interconnects cables from these terminals to Preamplifier or Amplifier.
5. **Ground Terminal**
Connect to the Turntable Ground Wire to reduce hum.
6. **DB-15 DC Power Input**
Connect DB -15 power cable provided to Power Supply Unit.



Power Supply Unit

The numbers in the illustration shown above correspond with the numbered items that begin below.

- 1. LED Indicator**
Show AC power input status.
- 2. On/Off Switch**
Switch to turn the unit power On or Off.
- 3. AC Power Input Socket**
Connect AC cables from 220V outlet.
- 4. DB-15 DC Power Output**
Connect DB -15 power cable provided to main unit.

Care & Maintenance

The Conductor-LP requires routine care and maintenance to ensure optimal performance. The bulleted items included in this section indicate maintenance procedures that should be performed on a regular basis.

Note

Failure to perform the maintenance procedures included in this section may void the manufacturer's warranty and/or standard repair policies.

- Use a feather duster or a low-pressure blower to remove dust from the Conductor-LP exterior surface.
- Use a soft, lint-free cloth to remove dirt and fingerprints from the Conductor-LP exterior surface. Do not use a cloth made with steel wool or metal polish. If needed, this cloth can be dampened with isopropyl alcohol. Do not dampen the cloth with Benzene, acetone-based cleaners, and other commercial cleaners.

Caution!

Do not apply liquid directly to the Conductor-LP exterior surface. Doing so may damage electrical components.

- Refer to "Installation Considerations" for information about preventative maintenance.

Limited two (2) years Warranty

Clef Audio warrants to the first end-user purchaser that Conductor-LP (Phono Stage Preamplifier) when purchased from an authorized Clef Dealer/Distributor, will be free from defective workmanship and materials for the period stated below. Clef will at its option and expense during the warranty period, either repair the defect or replace the product with a new or remanufactured product or a reasonable equivalent.

Warranty Period for this Product

Two (2) years from the date on the original sales receipt or invoice or other satisfactory proof of purchase.

Additional limitations from warranty coverage

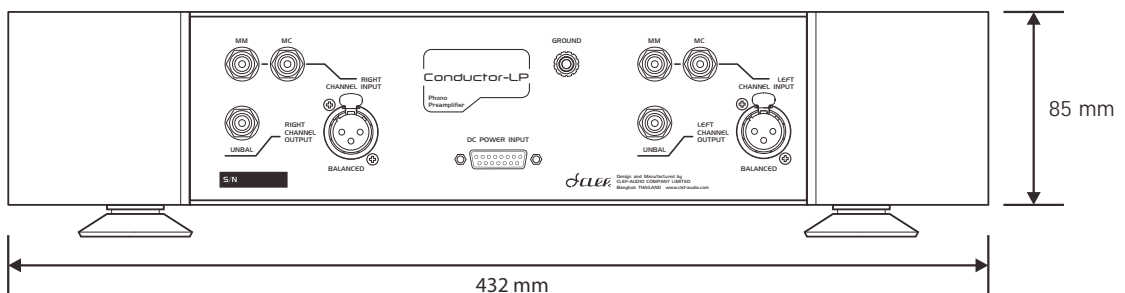
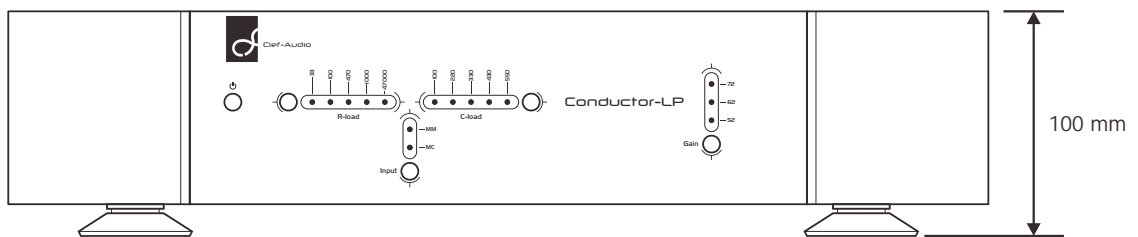
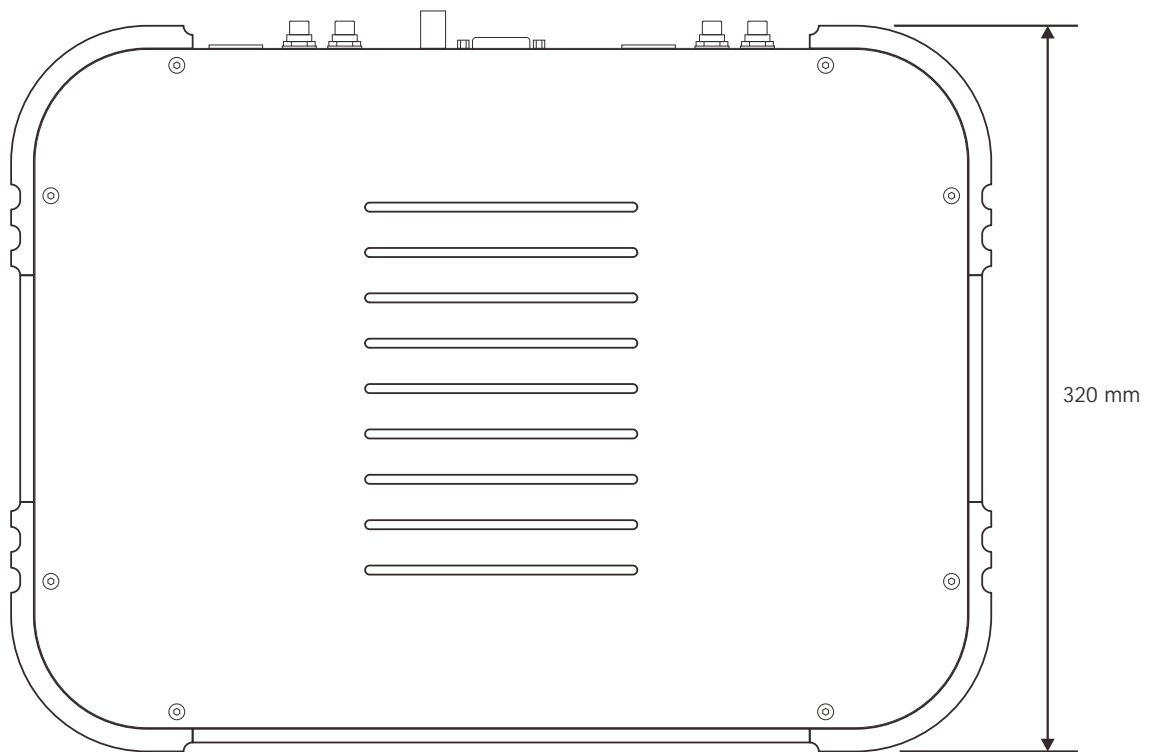
The warranty described above is non-transferable, applies only to the initial installation of the product, does not include installation of any repaired or replaced product, does not include damage to allied or associated equipment which may result for any reason from use with this product, and does not include labor or parts caused by accident, disaster, negligence, improper installation, misuse (e.g. overdriving the amplifier or speaker, excessive heat or cold or humidity, outdoor installation), or from service or repair which has not been authorized by Clef Audio.

Specifications

Gain	40 dB @ 1 KHz (MM) 52 dB @ 1 KHz (MC) 62 dB @ 1 KHz (MC) 72 dB @ 1 KHz (MC)
RIAA Response	±0.1 dB 20-20 KHz
Distortion	< .05 % THD @ 20 volts balanced @ 1 KHz
Maximum Output	20 volts rms.
Output Impedance	150/150 ohms
Input Impedance	47 Kohm 0-550 pF (MM) 33 ohm - 47 Kohm (MC)
Unwieghted Noise	-90 dB ref. 10 mV input (MM) -81 dB ref. 1 mV input (MC)
Power Consumption	32 Watts
Number of Chassis	2
Dimensions (w x h x d)	Main Unit: 432 x 100 x 320 mm. Supply Unit: 163 x 79 x 233 mm.
Weight	Main Unit: 6.5 Kg, 8 Kg in shipping carton Supply Unit: 3 Kg, 3.3 Kg in shipping carton

Preliminary specifications - subject to change without notice.

Dimension, Conductor-LP





Clef Audio Company Limited

33/83 Soi Narknivas Narknivas Rd. Ladprao Bangkok 10230 THAILAND

Telephone: (662)-932-5981, (662)2-932-5982 Fax: (662)-932-5982

Email: info@clef-audio.com Website: www.clef-audio.com