

# Soloist-50

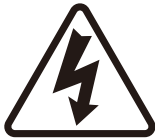
O W N E R M A N U A L



**WARNING:** TO REDUCE THE RISK OF FIRE OR ELECTRIC SHOCK, DO NOT EXPOSE THIS APPLIANCE TO RAIN OR MOISTURE.



**CAUTION:** TO REDUCE THE RISK OF ELECTRICAL SHOCK, DO NOT REMOVE COVER. NO USER-SERVICEABLE PARTS INSIDE. REFER SERVICING TO QUALIFIED PERSONNEL.



The lightning flash with arrowhead symbol, within an equilateral triangle, is intended to alert the user to the presence of uninsulated “dangerous voltage” within the product’s enclosure that may be of sufficient magnitude to constitute a risk of electric shock to persons.



The exclamation point within an equilateral triangle is intended to alert the user to the presence of important operating and maintenance (servicing) instructions in the literature accompanying the appliance.

---

**CAUTION:** Changes or modifications not expressly approved by the party responsible for compliance could void the user's authority to operate the equipment.

## Important Safety Instructions

Please read all instructions and precautions carefully and completely before operating your Soloist-50.

1. **ALWAYS** disconnect your entire system from the AC mains before connecting or disconnecting any cables, or when cleaning any component.
2. This product must be terminated with a three-conductor AC mains power cord that includes an earth ground connection. To prevent shock hazard, all three connections must **ALWAYS** be used.
3. AC extension cords are not recommended for use with this product
4. **NEVER** use flammable or combustible chemicals for cleaning components.
5. **NEVER** operate this product with any covers removed.
6. **NEVER** wet the inside of this product with any liquid.
7. **NEVER** pour or spill liquids directly onto this unit.
8. **NEVER** block airflow through ventilation slots or heat sinks.
9. **NEVER** bypass any fuse.
10. **NEVER** replace any fuse with a value or type other than those specified.
11. **NEVER** attempt to repair this product. If a problem occurs, contact your Clef-Audio retailer.
12. **NEVER** expose this product to extremely high or low temperatures.
13. **NEVER** operate this product in an explosive atmosphere.
14. **ALWAYS** keep electrical equipment out of the reach of children.
15. **ALWAYS** unplug sensitive electronic equipment during lightning storms.

*From all of us at Clef Audio,  
Thank you for choosing our product.*

## **Table of Contents**

Unpacking .....	6
Installation Considerations .....	7
Power Requirements .....	8
Special Design Features .....	9
Protections .....	10
Front Panel .....	11
Rear Panel .....	12
Care & Maintenance .....	13
Warranty.....	14
Specifications .....	15
Dimensions .....	16

## Unpacking

---

### Warning!

**DO NOT attempt to lift or move the Soloist-50 without adequate assistance. Failure to follow the procedures included in this section may result in personal injuries and/or product damage.**

---

### Caution!

**DO NOT attempt to lift the Soloist-50 while bending at the waist. When lifting, stand as straight as possible using the leg muscles to lift.**

---

### When unpacking the Soloist-50:

**DO** save all packing materials for possible future shipping needs.

**DO** inspect the Soloist-50 for signs of damage during shipment. If damage is discovered, contact an authorized Clef Audio dealer for assistance making appropriate claims.

## **Installation Considerations**

### **Placement**

Position the Soloist-50 on a stable, horizontal surface where there is no risk of it being knocked, or subjected to vibration such as from loudspeakers.

### **Ventilation**

As a "CLASS A/AB" amplifier, the unit dissipates a quantity of power at all times, and it is important that it is adequately ventilated. The sides are perforated to allow the smooth flow of heat through the unit. It is therefore not recommended that the unit is enclosed in a cabinet or placed where the ventilation holes on the sides are impeded as this could result in the unit cutting out due to excessive heat build-up.

Soloist-50 must be protected from humidity - if the unit is moved from a cold place to a warm room, leave the unit for an hour or so to allow sufficient time for the moisture to evaporate.

## Power Requirements

### Operating States

When shipped, the Soloist-50 is configured for 220-230V AC power operation at 50Hz. Before operating the Soloist-50 make sure the AC mains connector label indicates the correct operating voltage for the current location.

The Soloist-50 has three operating states:

- 1. Off**  
Power is disconnected from the AC mains connector or power switch on rear panel is set "OFF" position.
- 2. Standby**  
Power is connected to a small power supply, and control circuits.  
The Soloist-50 consumes less than 30W of power.
- 3. On**  
Power is connected to the AC mains connector and all power components.

### Continuous Operation

The Soloist-50 should be unplugged during lightning storms and extended periods of non-use. Otherwise, it is designed for continuous operation. For best performance, make sure power is connected to the AC mains connector at all times. During normal operation, do not use the power switch (on the rear panel) to power off the Soloist-50. Instead, use the on/off button to place the Soloist-50 into standby.



## Special Design Features

### Class-A Design Circuit

This is the most linear of the amplifier classes, meaning the output signal is a truer representation of what was inputted. The output device (transistor) conducts electricity for the entire cycle of input signal. In other words, they reproduce the entire waveform in its entirety. These amps run hot, as the transistors in the power amp are on and running at full power all the time.

Because of these factors, Class A amplifiers are very inefficient for every watt of output power, they usually waste some watts as heat. Because of the watts of heat energy released they run very hot, needing lots of ventilation. But the upside is that these amps are the most enjoyed of all amplifiers. These amps dig out musical detail, since the transistor reproduces the entire audio waveform without ever cutting off. As a result the sound is cleaner and more linear; that is, it contains much lower levels of distortion. They are the most accurate of all amps available.

### Dual-Mono Design

Dual mono design topology. This gives the amplifier better isolation between channels. Soundstage imaging is improved, offering true soundstage width and depth. Instrument placement and layering are more accurate.

### DSA Volume

The traditional potentiometer is implemented with an electrical contact that slides over a resistive layer that cause the problem such as quality of the electrical contact, consistency between separate audio channels, sensitive to dust. DSA Volume ( Digital Controlled Step Attenuator Volume) using discrete resistors and relays as switches solve those problems and improve quality of sound.

### True Balanced Input

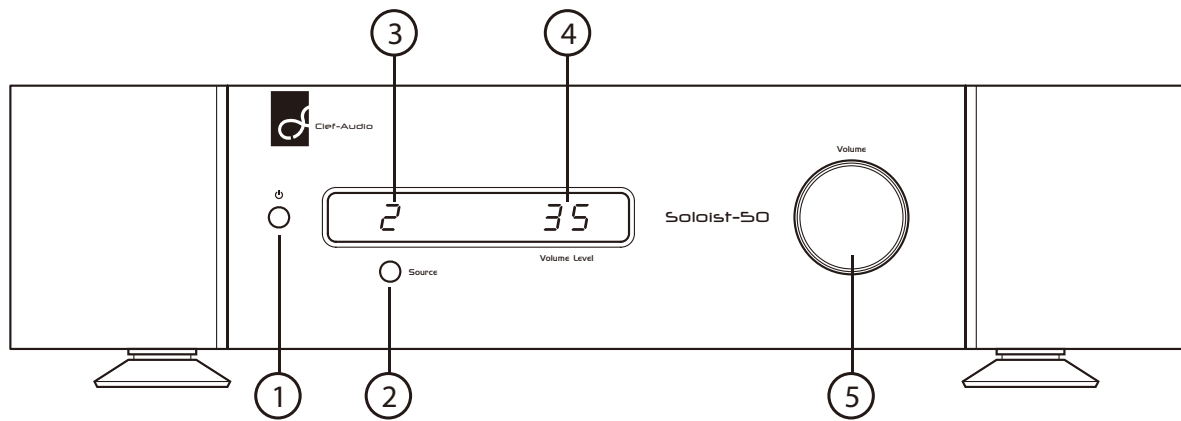
Soloist-50 balanced input operates as a differential circuit, and any unwanted noise, hum, or interference common to both lines is therefore canceled .

## **Speaker Protection**

### **Protections**

The Speaker Protection Circuit has two main functions:

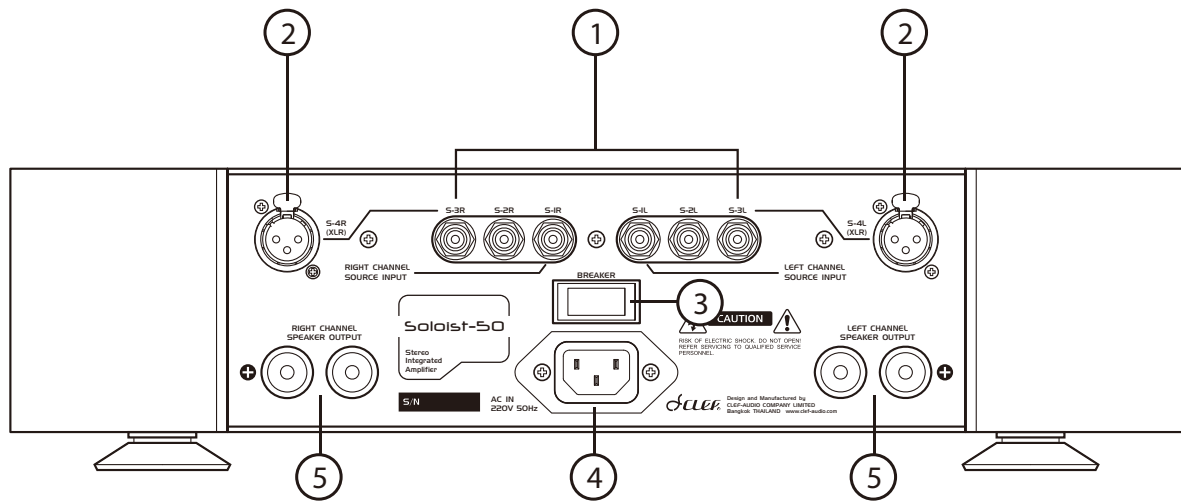
1. To protect the power amplifier and the loudspeakers during start-up sequence when the amplifier output might exhibit DC voltage.
2. To protect the loudspeakers in the unlikely event of an amplifier power stage failure, where DC component would damage the speaker voice coil.



## Front Panel

The numbers in the front panel illustration shown above correspond with the numbered items that begin below.

- 1. On/Stand by Button**  
Places the Soloist-50 into standby mode and takes the Soloist-50 out of standby mode. When the Soloist-50 is powered on, pressing and releasing the On/Off button places the Soloist-50 standby or takes the Soloist-50 out of standby
- 2. Source Select Button**  
Press to select desired input sources. Soloist-50 has 4 input, 3 unbalanced inputs and one balanced input.
- 3. Source Select Display**  
Shows selected source.
- 4. Volume Level Display**  
Displays volume level, 0 is lowest volume and 63 is maximum volume.
- 5. Volume Button**  
Rotate to adjust volume level.



## Rear Panel

The numbers in the rear panel illustration shown above correspond with the numbered items that begin below.

1. **Unbanded Input**  
Plug the Unbanded sources into these inputs.
2. **Balanced Input**  
Plug the Balanced sources into these inputs.
3. **Power (Breaker) Switch**  
Press this switch to "RESET" side to start Soloist-50 in standby mode.
4. **AC Input**  
Plug the supplied power cord into this connector and plug the other end into electrical outlet.
5. **Speaker Output**  
Connect the speaker cables to these terminals.

## Care & Maintenance

The Soloist-50 requires routine care and maintenance to ensure optimal performance. The bulleted items included in this section indicate maintenance procedures that should be performed on a regular basis.

### Note

---

**Failure to perform the maintenance procedures included in this section may void the manufacturer's warranty and/or standard repair policies.**

---

- Use a feather duster or a low-pressure blower to remove dust from the Soloist-50 exterior surface.
- Use a soft, lint-free cloth to remove dirt and fingerprints from the Soloist-50 exterior surface. Do not use a cloth made with steel wool or metal polish. If needed, this cloth can be dampened with isopropyl alcohol. Do not dampen the cloth with Benzene, acetone-based cleaners, and other commercial cleaners.

### Caution!

---

**Do not apply liquid directly to the Soloist-50 exterior surface. Doing so may damage electrical components.**

---

- Refer to "Installation Considerations" for information about preventative maintenance.

## **Limited two (2) years Warranty**

Clef Audio warrants to the first end-user purchaser that Soloist-50 integrated amplifier when purchased from an authorized Clef Dealer/Distributor, will be free from defective workmanship and materials for the period stated below. Clef will at its option and expense during the warranty period, either repair the defect or replace the product with a new or remanufactured product or a reasonable equivalent.

### **Warranty Period for this Product**

Two (2) years from the date on the original sales receipt or invoice or other satisfactory proof of purchase.

### **Additional limitations from warranty coverage**

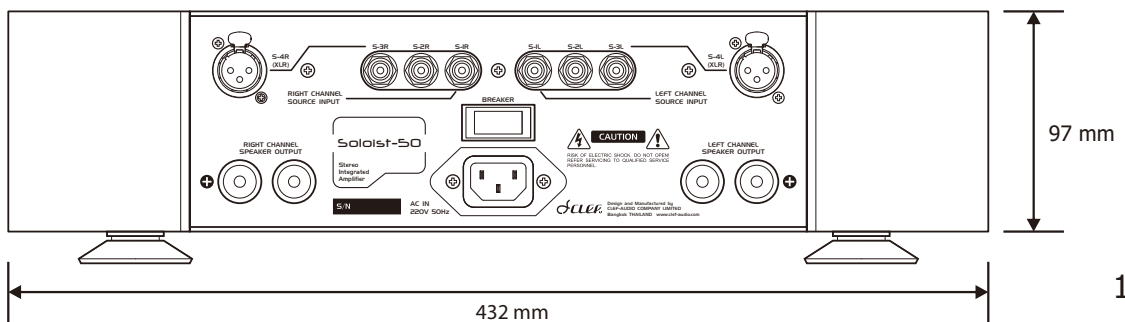
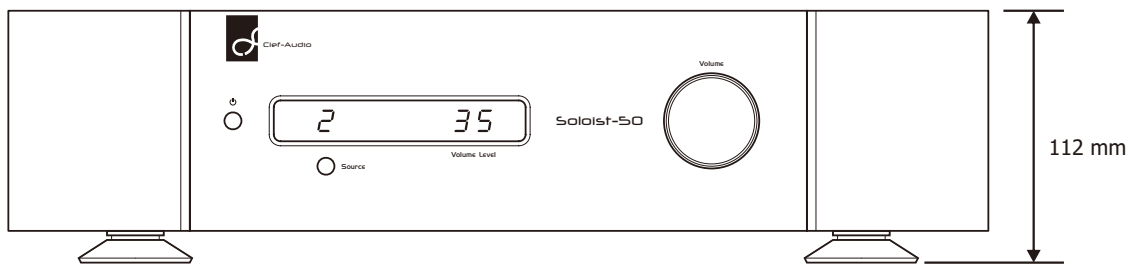
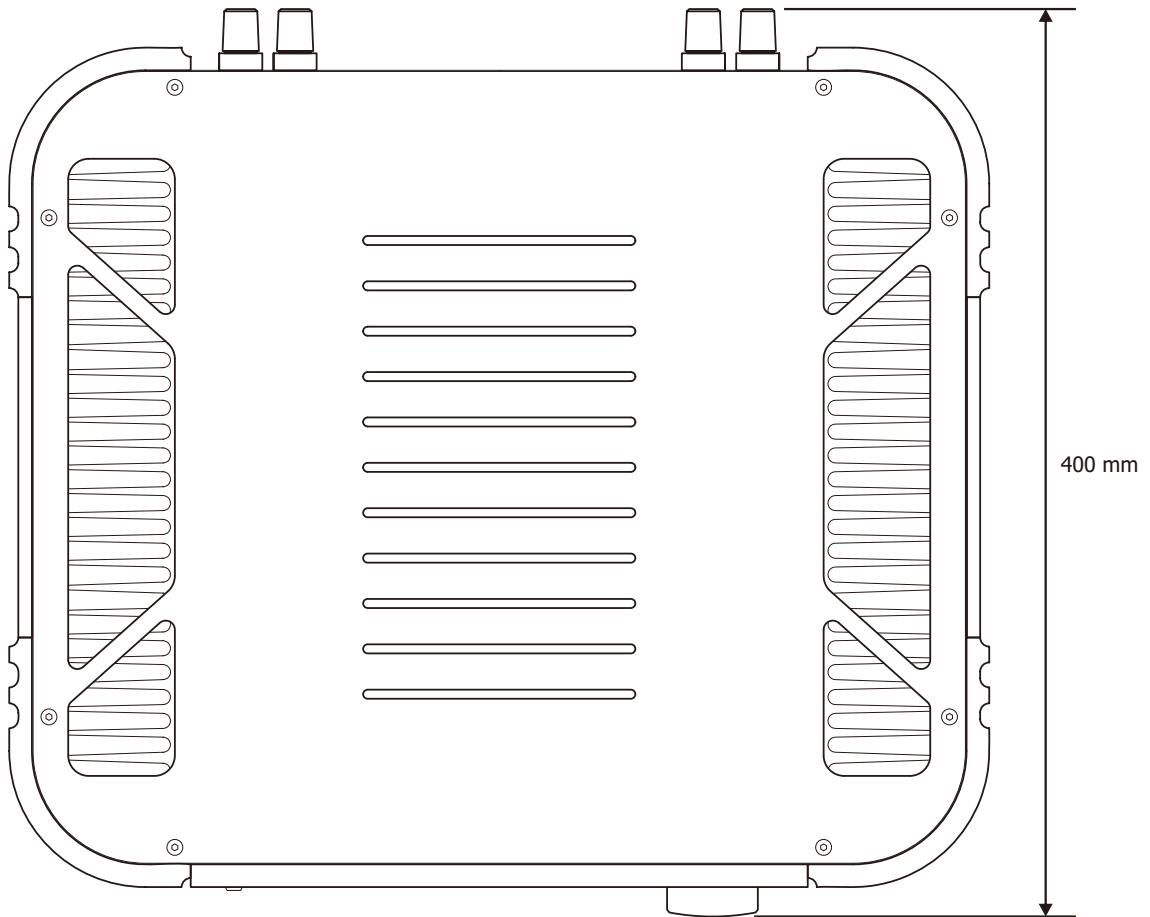
The warranty described above is non-transferable, applies only to the initial installation of the product, does not include installation of any repaired or replaced product, does not include damage to allied or associated equipment which may result for any reason from use with this product, and does not include labor or parts caused by accident, disaster, negligence, improper installation, misuse (e.g. overdriving the amplifier or speaker, excessive heat or cold or humidity, outdoor installation), or from service or repair which has not been authorized by Clef Audio.

## Specifications

Type	Solid State
Configuration	Dual-Mono
Power Supply Transformer	2 x 200VA
Power Supply Capacitance	120,000 $\mu$ F
Class of operation	A/AB (10W Class-A)
Single Ended Inputs (RCA)	3 pairs
Balanced Inputs (XLR)	1 pair
Input Sensitivity	160mV RMS
Input Impedance	44 Kohms
Maximum Input Level	3.6 Vrms Balanced/UnBalanced
Output Device Types	Bipolars / 6 per channel
Output Binding Posts	Gold-plated
Output Power @ 8 ohms	50 Watts per channel
Output Power @ 4 ohms	100 Watts per channel
Volume Steps	63 Steps / 1.0dB
Gain	42dB
Signal-to-noise Ratio	100dB @ full power
Frequency Response	20Hz - 56kHz (+0/-3dB)
Crosstalk @ 1kHz	-100dB
THD (20Hz - 20kHz @ 1 watt)	< 0.01%
THD (20Hz - 20kHz @ 50 watts)	< 0.04%
Power Consumption @ idle/Max	200 / 300Watts
AC Power Requirements	220-230V / 50Hz
Shipping weight	18 kgs
Dimensions (w x h x d)	432 x 112 x 400 mm.

Preliminary specifications - subject to change without notice.

## Dimension, Soloist-50







**Clef Audio Company Limited**

33/83 Soi Narknivas Narknivas Rd. Ladprao Bangkok 10230 THAILAND

Telephone: (662)-932-5981, (662)2-932-5982 Fax: (662)-932-5982

Email: [info@clef-audio.com](mailto:info@clef-audio.com) Website: [www.clef-audio.com](http://www.clef-audio.com)