

Overview

Thank you! for purchasing our PowerBRIDGE-8s.

The PowerBRIDGE from Clef Audio is the perfect solution for those who require a cost effective way to remove mains noise and distribute power efficiently. Although affordable but our core values have not been compromised, each unit features surge protection and our proprietary POLARIS IV FILTER and ZX-FILTER technology, reducing products talking to each other via the main supply. The unit is simple to install, LED indicators illuminate when Phase, Ground of your AC line input are OK and when the PowerBRIDGE is powered. A dedicated Ground post allows for the grounding of other sensitive electronics within the system. For those who seek increased performance or would later upgrade, the PowerBRIDGE design is flexible to use with High-End quality receptacle i.e. FURUTECH and etc.

Features

1. **AC Filter Outputs** with High quality US Duplex receptacles.
2. **Direct AC Output** for High Power Equipment.
3. **Phase LED** shows when AC input phase is correct.
4. **Ground LED** shows when AC input ground is connected.
5. **Power LED** shows when the thermal breaker is set to ON.
6. **Solid Aluminum Shell** to prevent the unit from EMI, RFI.
7. **Thermal Breaker** to use as the main switch and prevent the unit from over current or short circuit.
8. **IEC Inlet** connect to AC cord.
9. **Ground Post** for connecting to other electronics system.

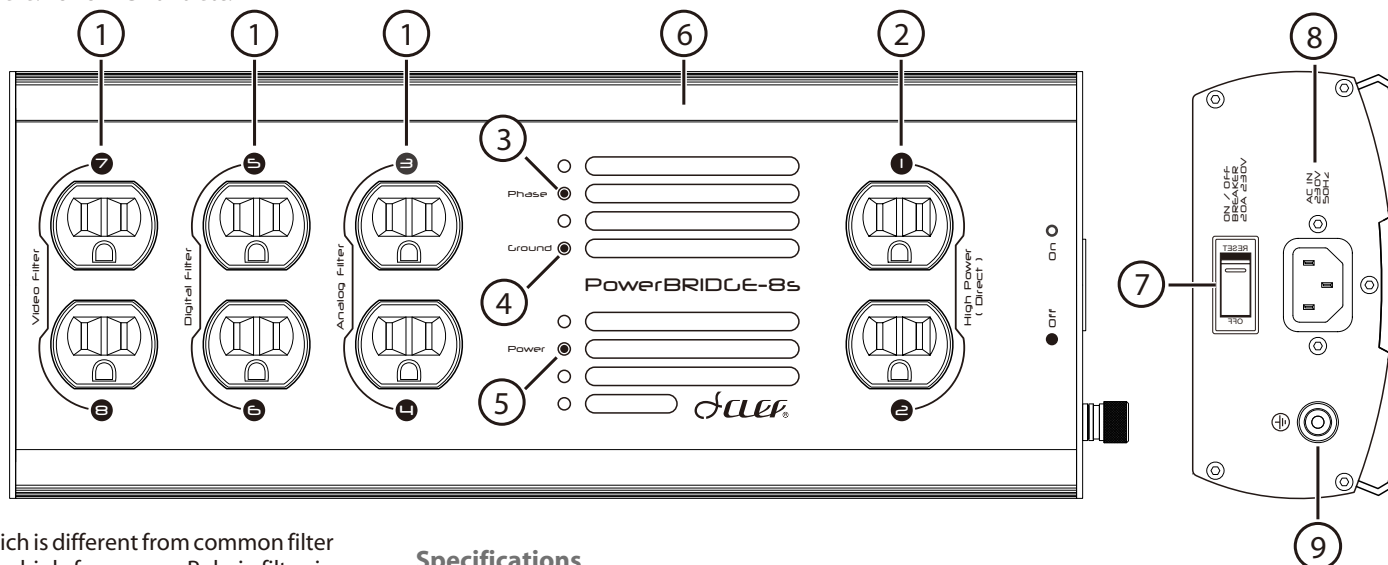
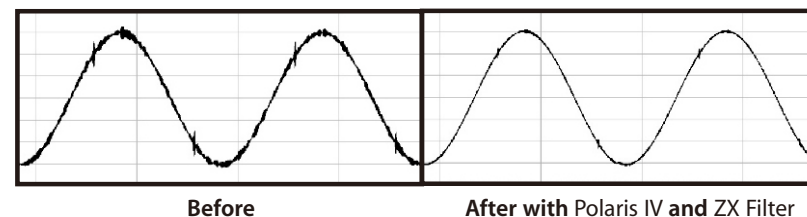
Technology

1. Polaris IV Technology, this is Clef proprietary filter technology which is different from common filter design. The common filter design usually filters only high and very high frequency. Polaris filter in PowerBRIDGE is designed to work from 10KHz upward which is the frequency band that affects the sound and video quality. Polaris filter can reduce the noise in AC line over 95% of total noise so the improvement of sound and picture quality can be clearly detected. For video filter output, the new **Vega filter** is used for reduce high frequency noise in video band.

2. ZX (Zero-Cross) Technology, each duplex has the special filter circuit to reduce the interference generated by equipment plugged into duplexes from one duplex to the other duplex. This to ensure the purity and cleanness of the AC line delivered to equipment.

3. Star Wiring Technic, this is special technique which totally separate the wiring to each duplex. This will reduce the crosstalk between duplex and increase maximum current delivered the equipment. The PowerBRIDGE can deliver full power to high power equipment e.g. power amplifier, receiver and powered sub-woofer without the limit in current capacity as found in common power distributor design.

AC Line wave form



Specifications

Current rating:	15 amps
Operating Voltage:	190 to 250 VAC
Spike Protection Modes:	L-N, N-G, L-G, zero ground leakage
Spike Clamping Voltage:	710 Vpk @ 200 amps
Response time:	1 nanosecond
Maximum surge current:	13,000 amps (8 x 20 mS pulse)
Maximum spike energy:	380 Joules per mode, 1,140 Joules total
Noise attenuation:	>10 dB @ 10 kHz >46 dB @ 100 kHz >100 dB @ 1-10 MHz